

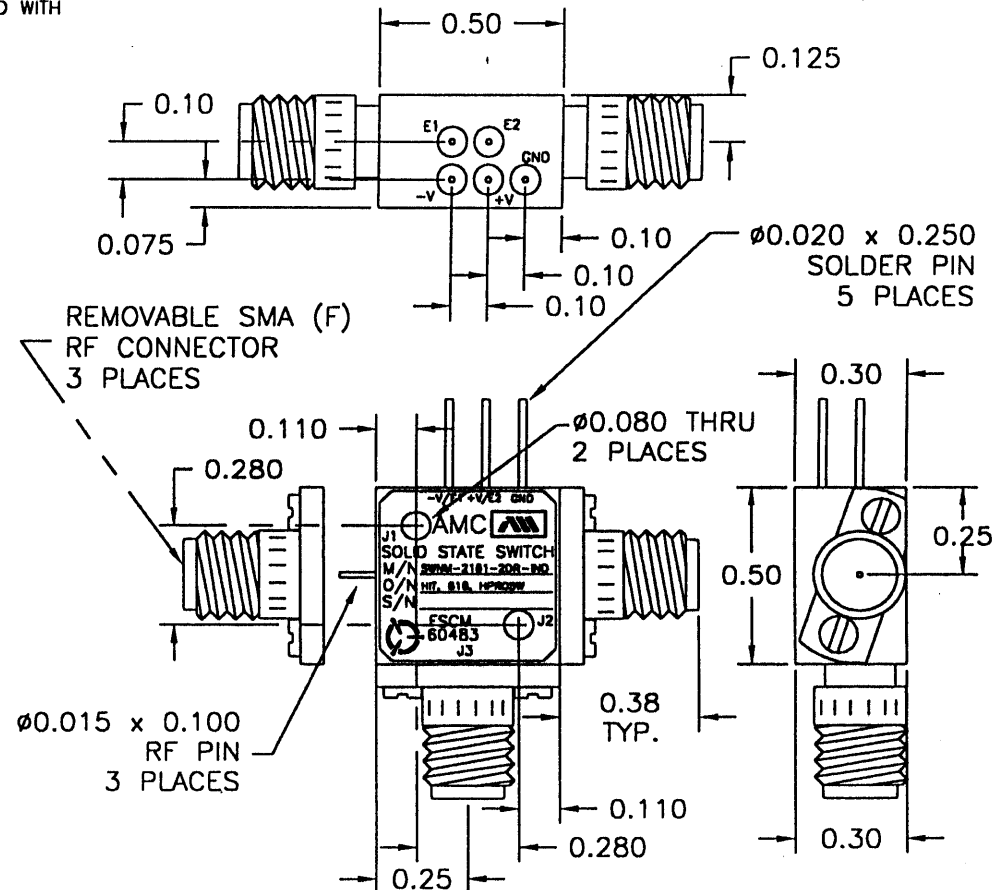
DESCRIPTION:

AMC MODEL SWNM-2181-2DR-IND OPTION HIT, 618, HPRO5W IS A MINIATURE SINGLE POLE DOUBLE THROW, ABSORPTIVE/NON-REFLECTIVE SWITCH MODULE WITH LOW INSERTION LOSS, HIGH ISOLATION, INTEGRAL TTL DRIVER AND POWER HANDLING OF 0.5 WATT CW OVER THE 6.0 TO 18 GHz BAND WITH INDEPENDANT CONTROLS.

REVISIONS			DATE	APPROVED
ZONE	REV.	DESCRIPTION		
		ORIGINAL RELEASE	9/21/99	JWS

SPECIFICATIONS:

- FREQUENCY: 6.0 GHz TO 18 GHz
- INSERTION LOSS: 2.0 dB MAXIMUM
- ISOLATION: 60 dB MINIMUM
- VSWR: 2.0:1 MAXIMUM
- SWITCHING SPEED: 30 nSEC MAXIMUM
- POWER HANDLING: 0.5 WATT MINIMUM
- TEMPERATURE: -54°C TO +100°C
- CONTROL: TTL LOGIC "0" = INSERTION LOSS
LOGIC "1" = ISOLATION
- POWER SUPPLY: +5V @ 75 mA MAXIMUM
-15V OR -12V @ 50mA MAXIMUM
- RF CONNECTORS REMOVABLE SMA FEMALE
- SIZE: 0.5" (L) x 0.5" (W) x 0.3" (H)
- WEIGHT: 0.4 OUNCE TYPICAL



STANDARD UNIT HAS SINGLE CONTROL TTL LOGIC (1 CONTROL PIN)
 LOGIC "0" = PORT J3 TO J1 IS ON
 LOGIC "1" = PORT J3 TO J2 IS ON

M/N = MODEL NUMBER
 O/N = OPTION NUMBER
 S/N = SERIAL NUMBER

OPTION IND HAS INDEPENDANT CONTROL TTL LOGIC (2 CONTROL PINS)
 LOGIC "0" = INSERTION LOSS
 LOGIC "1" = ISOLATION

ENVIRONMENTAL RATINGS:

- TEMPERATURE: -54°C TO +100°C (OPERATING)
-65°C TO +125°C (STORAGE)
- HUMIDITY: MIL-STD-202F, METHOD 1038 COND. B
- SHOCK: MIL-STD-202F, METHOD 2138 COND. B
- VIBRATION: MIL-STD-202F, METHOD 204D COND. B
- ALTITUDE: MIL-STD-202F, METHOD 105C COND. B
- TEMPERATURE CYCLE: MIL-STD-202F, METHOD 107D COND. A

ALL DIMENSIONS ARE IN INCHES
 TOLERANCES:
 X.XX ±0.020
 X.XXX ±0.010

NOTE: THE ABOVE SPECIFICATIONS ARE SUBJECT TO CHANGE OR REVISION

APPROVALS		DATE	AMERICAN MICROWAVE CORPORATION FREDERICK, MARYLAND	
DRAWN <i>WSP</i>	CHECKED <i>PR</i>	9/21/99 9/21/99	TITLE OUTLINE DRAWING SWNM-2181-2DR-IND OPTION HIT, 618, HPRO5W	
ISSUED	SIZE A	FSCM NO. 60483	DWG NO. 100-5069-2	REV.
SCALE N/S			SHEET 1 of 1	